



Cartridge Fuse Holder R3-9

Cartridge Fuse Holder R3-9

Material :
Frame and cap : PBT(UL flame : 94V-0).
Terminal : tin plated brass.
Mounted by nut.
Metal or plastic nut is optional..

Specifications

Electrical Ratings : 15 Amp 250VAC
Fuse Dimension: Ø6.35x31.75mm
Cap Color: Black
Insulation Resistance: DC 500V 100MΩ Min
Withstand Voltage: AC 1500V 1 minute
Agency Approvals: UL

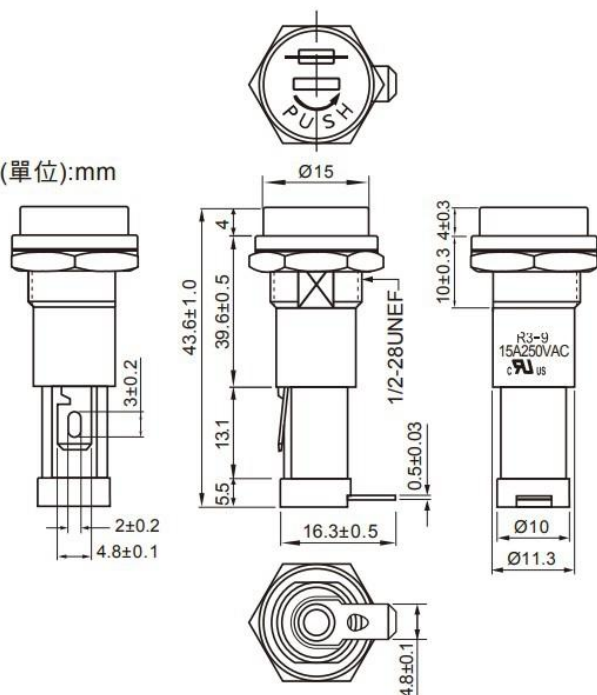


R3-9 Fuseholder



Dimension(mm)

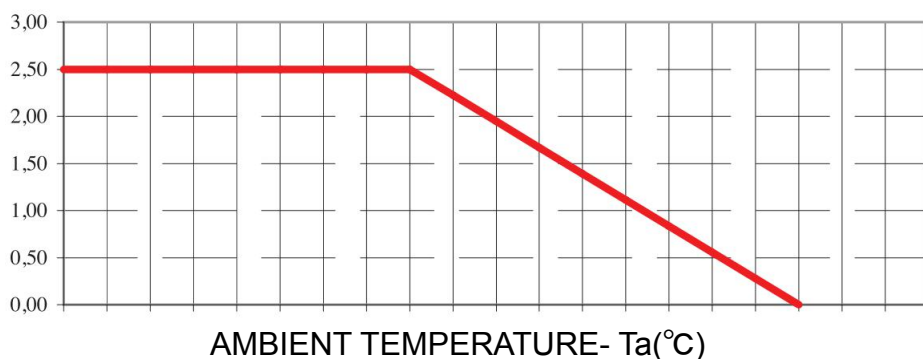
Unit(單位):mm



Ordering Information

Part Number	SPQ	Unit Weight
R3-9	200	7.5 gram

Power Acceptance- (W)



Ampfort products are not designed for, and shall not be used for, any purpose (including, without limitation, automotive, military, aerospace, medical, life-saving, life-sustaining or nuclear facility applications, devices intended for surgical implant into the body, or any other application in which the failure or lack of desired operation of the product may result in personal injury, death, or property damage) other than those expressly set forth in applicable Ampfort product documentation. Warranties granted by Ampfort shall be deemed void for products used for any purpose not expressly set forth in applicable Ampfort documentation. Ampfort shall not be liable for any claims or damages arising out of products used in applications not expressly intended by Ampfort as set forth in applicable Ampfort documentation. The sale and use of Ampfort products is subject to Ampfort Terms and Conditions of Sale, unless otherwise agreed by Ampfort.